

# RG6 TRI

## CABLEMASTER (AUST)

Distributed exclusively by Skandia

131 Wedgewood road

Hallam 3803

1300 788 466

Revision NO: AZ-025-7

Product Code: RG6 TRI

### Product Description

#### Application:

DIGITAL TV, PAY TV, SATELLITE CCTV

#### Multi-construction

Tri shield single core

### Cable Construction

#### Conductor Copper Clad Steel

Conductivity 22%

Construction 1.02

Standard Dia.(mm) 1.02

#### Insulation Gas Injected Foam PE

Thickness 1.79

Insulation Dia.(mm) 4.60

Insulation Color Nature

#### Bonded Al-Foil Shield Al/Pet/Adhibit

Construction (  $\mu$  ) 7/12/9

Coverage >115%

#### Braiding Aluminium wire braiding

Construction (stranded) 0.16Al $\times$ 16 $\times$ 4

Braiding coverage >61%

#### Al-Foil-Al Shield Al/Pet/Al

Construction (  $\mu$  ) 7/12/7

Coverage >115%

#### Jacket PVC (UV-resist)

Thickness(mm)  $\geq$ 0.80

Dia.(+/-0.15mm) 6.90

Jacket Color Black

#### Marking (White Ink) (High: 2.5mm)

**CABLEMASTER RG6TRI 305M.....000M**

#### PACKAGING

305M/Wooden Drum

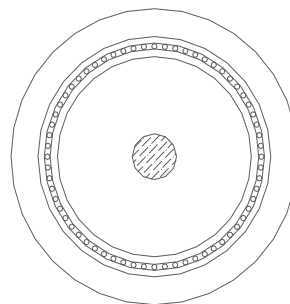
### RoHS GUIDELINE

We operate according to the following standards

Control Item	Standard	Testing Method	Testing Equipment
Cadmium content (Cd)	<0.01%	EN1122	ICP-AES
Lead content (Pb)	<0.1%	EPA3050B	ICP-AES
Mercury content (Hg)	<0.1%	EPA3052	ICP-AES
Chromium (VI) content	<0.1%	EPA3060(UN-VIS)	ICP-AES
Polybrominated Biphenyls(PBB)	Forbidden	GC/MS	
Polybrominated Diphenyl Ether (PBDE)	Forbidden	GC/MC	

### Revision History

## Design



### Electrical Characteristics

Max.Conductor DC Resistance at 20°C ( $\Omega$ /Km)	<103.6
Min.Insulation DC Resistance at 20°C ( M $\Omega$ *Km)	>500
Rated Temperature(°C)	80
Rated Voltage(V)	30
Capacitance(pF/m)	<60
Velocity ratio	82.50%
Impedance( $\Omega$ )	75+/-3
Attenuation at 20°C ( dB/100m) (+/-10%)	
100 MHz	6.5
460 MHz	15.0
860 MHz	19.5
1000 MHz	21.5
1750 MHz	29.0
2150 MHz	32.5

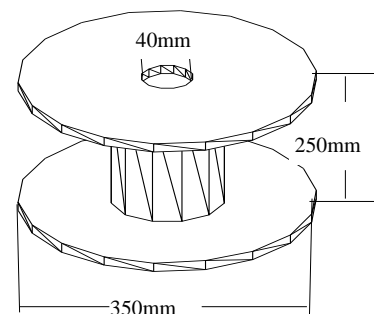
### Return Loss ( -dB )

5MHz--30 MHz	>23
30MHz--470 MHz	>23
470MHz--862 MHz	>20
862MHz--2150 MHz	>18

### PACKAGING

305M/Reel

1x20'=36R/Pallet $\times$ 20Pallet



Color of drum marking :  
Red Letters  
Height of letters :25mm

**Marking on Flange A and B**

➤ Flange A or Flange B

Prepared by: **LI**

Date: 2006-8-8