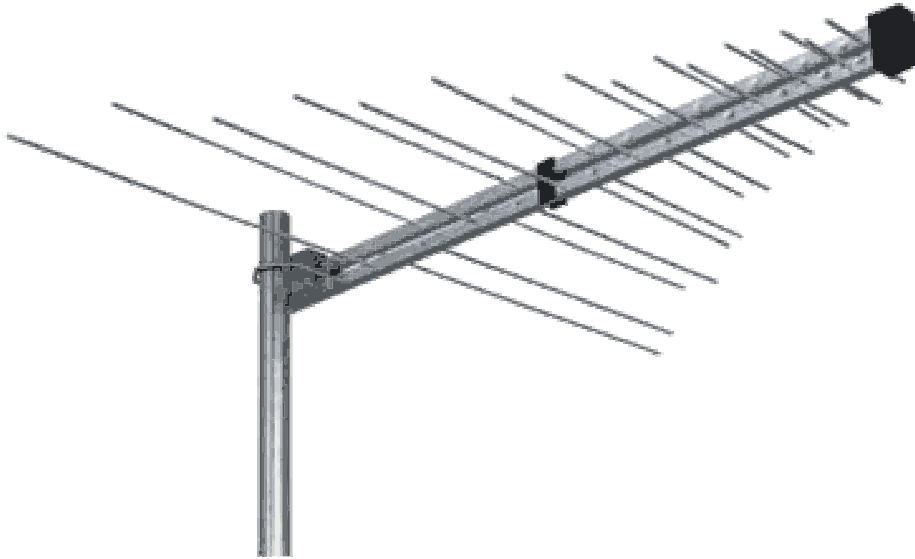
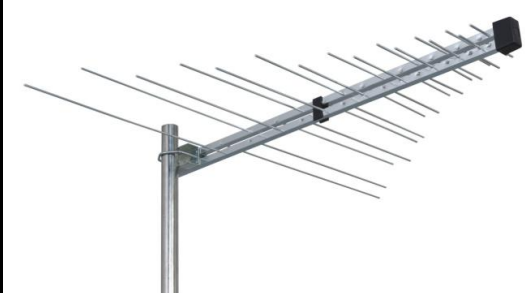


DIGILOG STEALTH DIGITAL LOG PERIODIC ANTENNA

Specification Sheet



(DTV-3235) DIGILOG SPECIFICATION SHEET

Skandia Model No.#	Picture	Technical Info.	Package
(DTV-3235) DIGILOG Outdoor Antenna		<p>No. of Elements: 32</p> <p>Frequency Range: VHF: 174-230MHz UHF: 470-862MHz</p> <p>Channel: Ch.1-12 Ch:21-69</p> <p>Gain: 7.5-8.5dB</p> <p>Front-back ratio: 20-30dB</p> <p>Beam width Horizontal/Vertical: H60°-V65°/ H30°-V55°</p> <p>Out Impedance: 75 Ohm</p> <p>Antenna Length: 750mm</p>	<p>5pcs/Carton</p> <p>Outer Carton Size: L78*W75*H30 cm</p>